

## KNX IP Interface 730

### Interface between LAN and KNX bus

Data sheet

#### Application area

The KNXnet/IP-Interface is used to connect a PC to the KNX network. The connection is made through LAN (IP).

The IP address can be obtained by a DHCP server or by manual configuration (ETS) respectively.

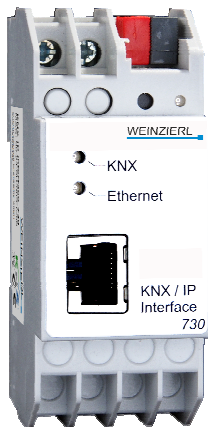


Figure 1: Photo of device

This device works according to the KNXnet/IP specification using the core, the device management and the tunnelling part.

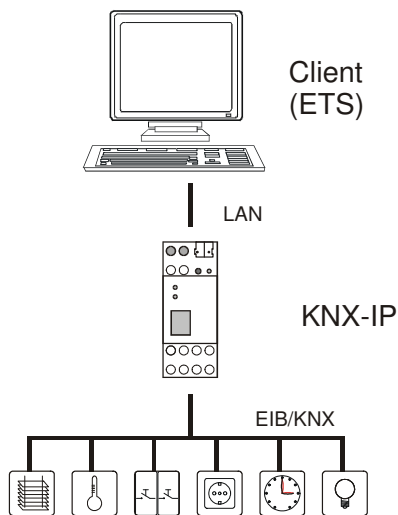


Figure 2: Typical application



**Weinzierl Engineering GmbH**  
 D-84508 Burgkirchen / Alz  
 Germany  
<http://www.weinzierl.de>  
[info@weinzierl.de](mailto:info@weinzierl.de)

#### Technical data

##### Electrical safety

- Protection (acc. EN 60529): IP 20
- Safety extra low voltage SELV DC 29 V

##### CE marking according to

- Low voltage directive 2014 / 35 / EU
- EMC directive 2014 / 30 / EU
- RoHS directive 2011 / 65 / EU (RoHS2)  
 EN 50491-3: 2009, EN 50491-5-1: 2010  
 EN 50491-5-2: 2010, EN 50491-5-3: 2010  
 EN 61000-6-2: 2005  
 EN 61000-6-3: 2007 + A1: 2011  
 EN 50581: 2012 (RoHS2)

\*CE declaration can be requested at [info@weinzierl.de](mailto:info@weinzierl.de).

##### Environmental requirements

- Ambient temp. operating: - 5 ... + 45 °C
- Ambient temp. non-op.: - 25 ... + 70 °C
- Rel. humidity (non-condensing): 5 % ... 93 %

##### Mechanical data

- Housing: Plastic
- DIN rail mounted device, width: 2 units
- Weight: approx. 100 g

##### Operating controls

- Learning key for KNX

##### Indicators

- Learning-LED (red)
- Signal-LED (green) for KNX
- Signal-LED (green) for LAN

##### Ethernet

- 10BaseT (10Mbit/s)
- Supported internet protocols ARP, ICMP, IGMP, UDP/IP, TCP/IP, DHCP and Auto IP
- Up to 5 KNXnet/IP Tunneling conn. simultaneously

##### Power supply

- External supply 12-24 V AC / 12-30 V DC
- Alternative: "Power-over-Ethernet"
- Power consumption: < 800 mW

##### Connectors

- KNX connection terminal
- LAN RJ-45 socket
- Screw connector for power supply